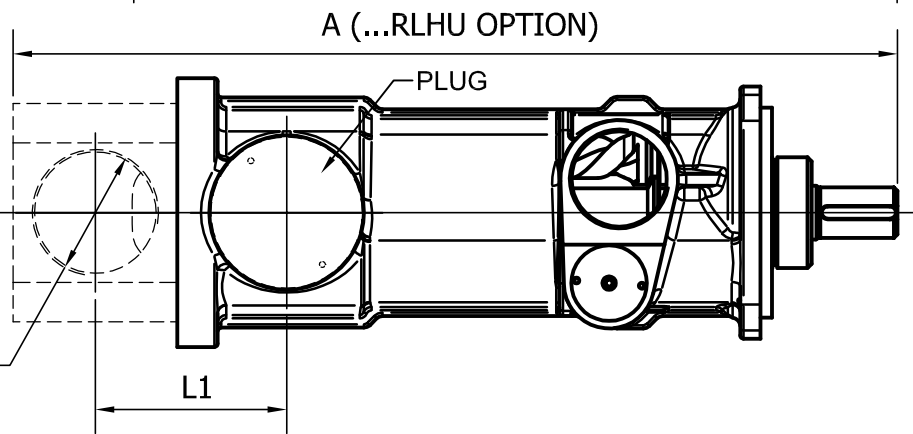
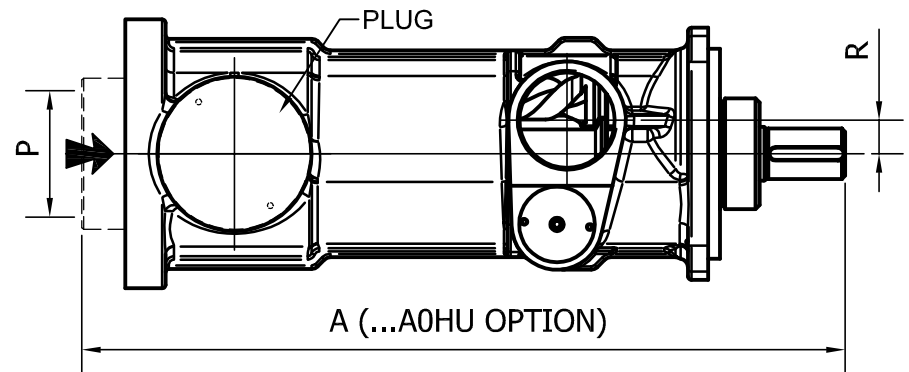
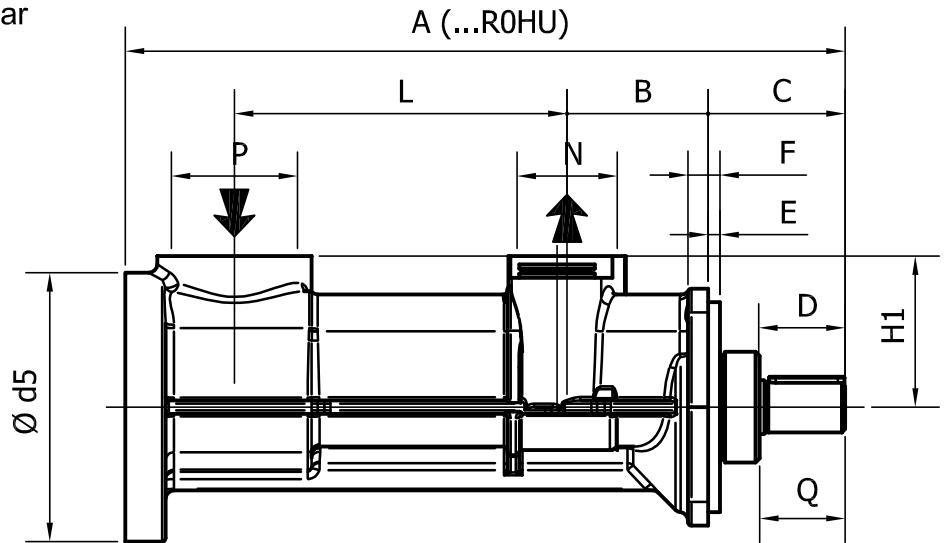
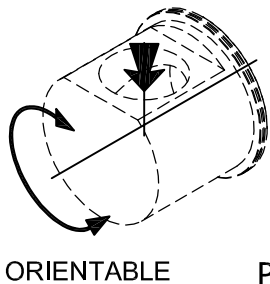
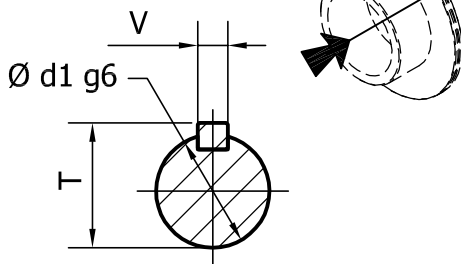
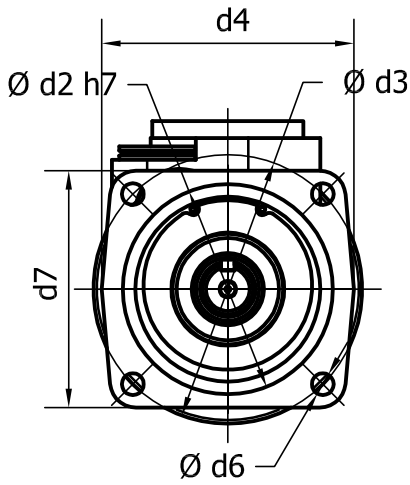


Screw pumps - PDK series with valve

For hydraulic oils, lubricating oils
 Admissible delivery pressure 16 bar
 Standard valve setting 10 bar



Dimensional chart (mm)

MODEL	A	B	C	D	E	F	P	N	L	L1	H1	Q	R	T	V	d1	d2	d3	d4	d5	d6	d7
PDK045#3...R0HU	378	70	81	47	7	19	2"	1½"	172	-	76	51	15	33	8	30	125	160	150	135	13	141
PDK045#3...A0HU	403	70	81	47	7	19	2"	1½"	172	-	76	51	15	33	8	30	125	160	150	135	13	141
PDK045#3...RLHU	460	70	81	47	7	19	2"	1½"	172	104	76	51	15	33	8	30	125	160	150	135	13	141
PDK055#3...R0HU	428	84	81	47	7	19	2½"	2"	198	-	90	51	20	33	8	30	125	160	150	160	13	141
PDK055#3...A0HU	454	84	81	47	7	19	2½"	2"	198	-	90	51	20	33	8	30	125	160	150	160	13	141
PDK055#3...RLHU	526	84	81	47	7	19	2½"	2"	198	114	90	51	20	33	8	30	125	160	150	160	13	141

SEIM srl
 Via A. Volta 17
 20090 Cusago (MI) ITALY
 Tel. (+39) 02.90.39.21.1
 Fax. (+39) 02.90.39.21.41
 e-mail: seim@seim.it

www.seim.it